

Individual pumps

1.1 Variable displacement axial piston pump type K60N

Fixed displacement axial piston pumps operate according to the bent axis principle. They have a constant output volume and therefore deliver a constant flow rate at a specific rotation speed.

The axial piston pump type K60N is designed for open circuits in mobile hydraulics and operates based on the bent axis principle.

The pump is fitted mainly to the power take-off on commercial vehicle transmissions.

Features and benefits:

- Optimized power-to-weight ratio
- High rotation speed
- Different shaft and flange versions

Intended applications:

- Machines for forestry and agricultural purposes
- Cranes and lifting equipment
- Truck-mounted concrete pumps
- Municipal trucks

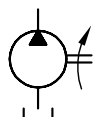


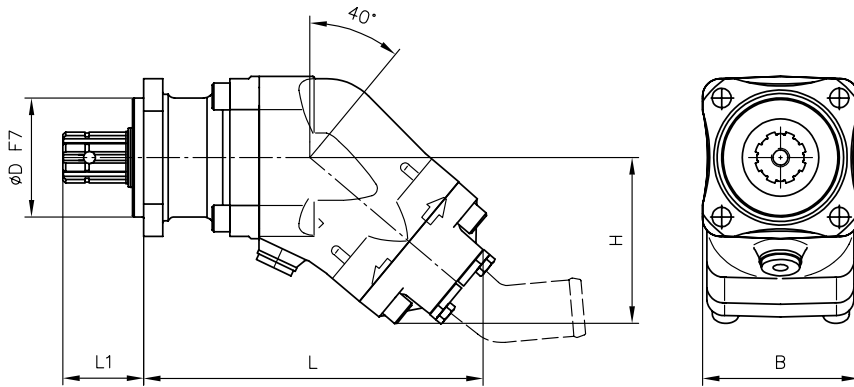
| | |
|--------------------------------|------------------------------------|
| Nomenclature: | Axial piston pump Constant pump |
| Design: | Single pump |
| p_{max}: | 400 bar |
| $V_{g max}$: | 108 cm ³ /rev |

Design and order coding example

| | | | | | | |
|------------|--------------|--------------------------------------|------------------------------------------------------------------------------------------------------------------------------------------|--------------------------------------------------------------------------------------------------------|----------------------------------------------------------------------|----------------------------------|
| K60N | - 064 | R | S | F | N | - S - F12 |
| Basic type | Nominal size | Rotating direction | Shaft version | Flange version | Seal material | Additional versions Bypass valve |
| | | Counter clockwise (L), clockwise (R) | <ul style="list-style-type: none"> ▪ ISO 14 parallel key splined shaft (D) ▪ SAE-C, SAE-B J 744 spline shaft (S) | <ul style="list-style-type: none"> ▪ DIN ISO 7653 (Y) ▪ SAE-C, SAE-B J 744 (F) | <ul style="list-style-type: none"> ▪ NBR (N), FKM (V) | |

Function



General parameters and dimensions

Parameters

| | Geom. output volume V_g [cm ³ /rev] | Nom. pressure p_{nom} (p_{max}) [bar] | Self-suction speed n [rpm] | Dimensions [mm] | | | | | m [kg] |
|------------|--------------------------------------------------------|---------------------------------------------------|------------------------------------|-----------------|----|-----|-----|--------------|--------|
| | | | | L | L1 | H | B | ØD | |
| K60N - 012 | 12,6 | 400 | 3300 | 207 | 48 | 145 | 95 | 80/101.6/-- | 7,5 |
| K60N - 017 | 17,0 | 400 | 3200 | | | | | | |
| K60N - 025 | 25,4 | 400 | 2550 | 209 | 53 | 156 | 118 | 80/101.6/-- | 8,5 |
| K60N - 034 | 34,2 | 400 | 2250 | | | | | | |
| K60N - 040 | 41,2 | 400 | 2200 | 246 | 67 | 185 | 143 | 80/101.6/127 | 15,5 |
| K60N - 047 | 47,1 | 400 | 2200 | | | | | | |
| K60N - 056 | 56,0 | 400 | 2100 | | | | | | |
| K60N - 064 | 63,6 | 400 | 2050 | | | | | | |
| K60N - 084 | 83,6 | 400 | 1700 | 276 | 72 | 212 | 160 | 80/--/127 | 27,0 |
| K60N - 090 | 90,7 | 400 | 1700 | | | | | | |
| K60N - 108 | 108,0 | 400 | 1700 | 276 | 85 | 231 | 180 | 80/--/127 | 29,5 |
| K60N - 130 | 130,0 | 350 | 1600 | | | | | | |

Associated technical data sheets:

- Fixed displacement axial piston pump type K60N: [D 7960 K](#)

Similar products:

- Variable displacement axial piston pump type V30D: [Page 20](#)
- Variable displacement axial piston pump type V30E: [Page 16](#)
- Variable displacement axial piston pump type V60N: [Page 26](#)
- Variable displacement axial piston pump type V80M: [Page 24](#)
- Axial piston motor type M60N: [Page 254](#)

Suitable prop. directional spool valves:

- Type EDL: [Page 82](#)
- Type PSL/PSV size 2, 3 and 5: [Page 90](#)
- Type PSLF/PSVF size 3, 5 and 7: [Page 96](#)

Suitable load-holding valves:

- Type LHK, LHDV, LHT: [Page 198](#)