

# PUNCHING MACHINES

Double action - fully automated process of punching and return, Wide range of hole diameters up to 27mm, Modern construction, Intelligent control system with inching and automatic load detection, Mode indicator light, Protection against accidental start-up, Easy to handle in unusual positions, All connecting ports located at the back, Wide range of specially shaped punches and dies, Patent-pending, compact and moveable hydraulic power pack, Unique Gantry Punching Station increases both productivity and operator's comfort.

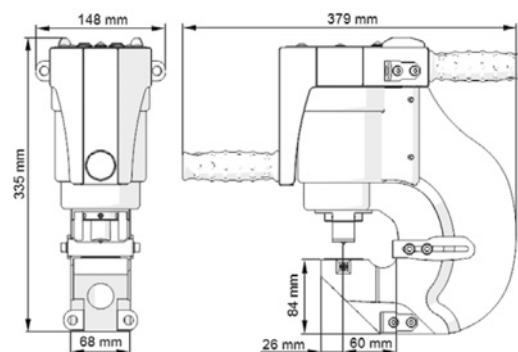
## FE 60 HP

Portable Double Action Hydraulic Puncher



Portable Double-Action Hydraulic Puncher Technical Specification

Max. throat depth	<b>60 mm</b>
Max. hole	<b>ø 27 mm</b>
Max. oblong hole	<b>25 x 18 mm</b>
Punching time	<b>5 Sec.</b>
Max. plate thickness	<b>13 mm</b>
Punching power	<b>35 Ton</b>
Working pressure	<b>700 bar</b>
Weight	<b>20 Kg</b>



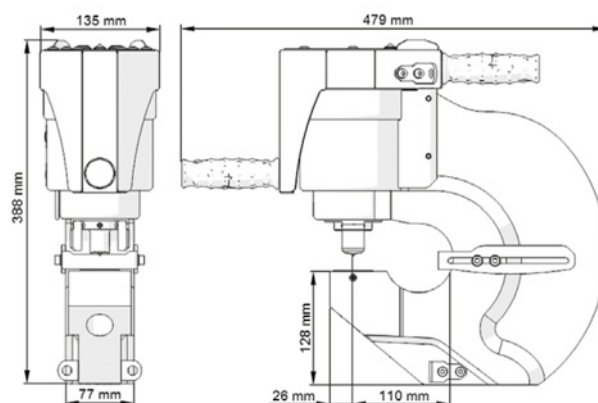
## FE 110 HP

Portable Double Action Hydraulic Puncher



Portable Double-Action Hydraulic Puncher Technical Specification

Max. throat depth	<b>110 mm</b>
Max. hole	<b>ø 27 mm</b>
Max. oblong hole	<b>25 x 18 mm</b>
Punching time	<b>8 Sec.</b>
Max. plate thickness	<b>16 mm</b>
Punching power	<b>47 Ton</b>
Working pressure	<b>700 bar</b>
Weight	<b>35 Kg</b>



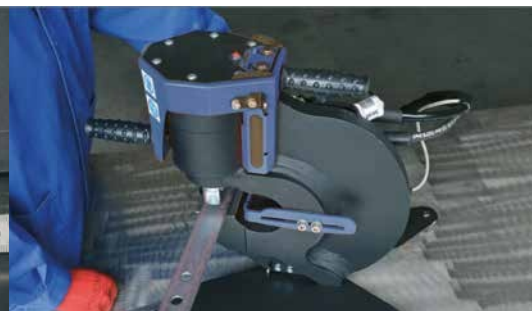
# PUNCH AND DIES

## FE 700 HPP

Double Action Powerpack



Double Action Powerpack	
Power supply	230V/50 Hz
Motorpower	1500 W
Working pressure	700 bar
Oil capacity	10 L



## Punches and Dies

All the punches and dies distributed by Fe Powertools are produced in Europe. Our punch and die factory specializes in manufacturing all kinds of punches and dies for the most well-known brands. These punches and dies are for universal use. The European factory has over 50 years of experience in producing these tools and is continuously innovating to achieve the highest quality tooling within a lightning-fast production time.

**We offer universal punches and dies for all kinds of machines, including:** Mubea, Kingsland, Peddinghaus, Geka, Nitto, Sunrise, Alfra and Durma.

**For more information check our website and pricelist.**

